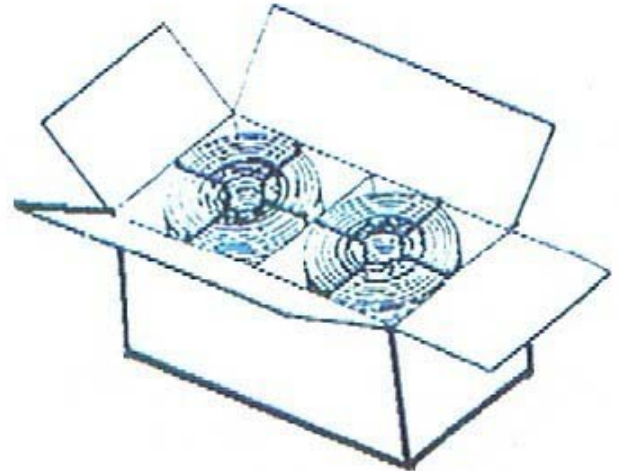
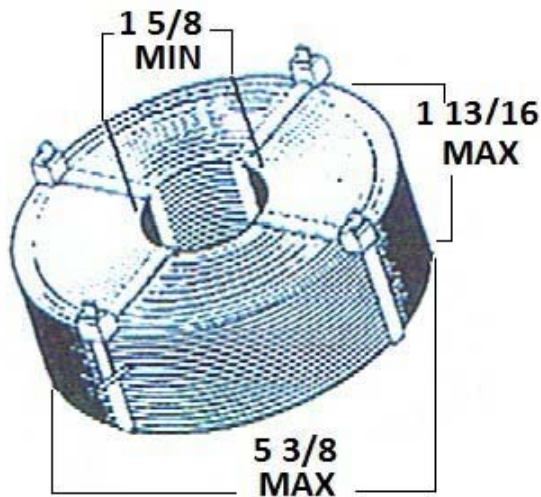


WIRE WORLD INC



Specifications

Part Number	Average Tensile Strength	Type	Wire Diameter	Coil Size Ft.	Average Break Strength	Coils Per Box	Approx. Ship Wt. Per Box
IWW038302	102,000 PSI	302 SS	.038"	1600'	115 LBS.	6	37 LBS.
IWW038316	104,000 PSI	316 SS	.038"	1600'	115 LBS.	6	37 LBS.
IWW045430	79,000 PSI	430 SS	.045"	1200'	125 LBS.	6	40 LBS.
IWW045430RUS	79,000 PSI	430 SS	.045"	1200'	125 LBS.	6	40 LBS.
IWW045302	104,000 PSI	302 SS	.045"	1200'	165 LBS.	6	40 LBS.
IWW045316	104,000 PSI	316 SS	.045"	1200'	165 LBS.	6	40 LBS.
IWW065430X430	79,000 PSI	430 SS	.065"	450'	245 LBS.	6	32 LBS.
IWW065430X650	79,000 PSI	430 SS	.065"	650'	245 LBS.	6	46 LBS.
IWW065302X430	102,000 PSI	302 SS	.065"	450'	300 LBS.	6	32 LBS.
IWW0450430X2200	79,000 PSI	430 SS	.045"	2200'	125 LBS.	3	37 LBS.

Chemistry

Type	C	MN	P	S	SI	CR	NI	MO
430 SS	0.12	1.00	0.04	0.03	1.00	16.00/18.00		
302 SS	0.08	2.00	0.04	0.03	1.00	18.00/20.00	8.00/10.50	
316 SS	0.08	2.00	0.04	0.03	1.00	16.00/18.00	10.00/14.00	2.00/3.00

You can "GET WIRED" at www.wireworldinc.com or by calling our sales department at 512-407-8100!!